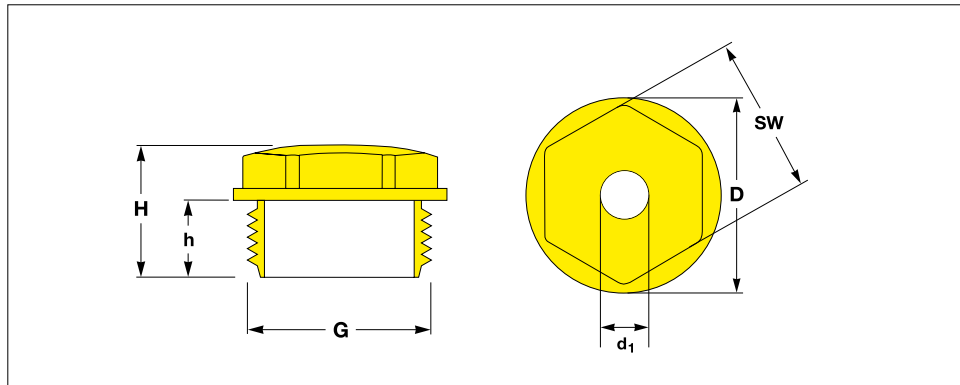


Quick-Fit® Threaded Sealing Grommets, open

Ingress Rating IP 54

prompt
MADE-TO-ORDER
VOLUME



Material :
LLD-PE,
linear low density polyethylene

Standard Colour :
light grey RAL 7035

Optional colours on request.

Ingress Rating IP 54.
With open membrane

Think Plastic. Go Protec.®



Metric

All dimensions in mm

Thread size	Clamping range	Flange	Ø Centered Hole	Spanner size	Length of thread	Depth	Reference-No.
G		D	d ₁	SW	h	H	
M 16 × 1.5	5.0 – 10.0	19.8	4.5	SW 15	9.5	17.0	EPN 470 / M 16
M 20 × 1.5	8.0 – 13.5	24.0	7.0	SW 19	12.0	19.7	EPN 470 / M 20
M 25 × 1.5	9.0 – 16.0	29.5	8.7	SW 24	12.8	22.0	EPN 470 / M 25
M 32 × 1.5	11.0 – 22.0	37.5	9.5	SW 30	14.8	26.0	EPN 470 / M 32
M 40 × 1.5	17.0 – 24.0	45.5	15.0	SW 37	16.0	29.0	EPN 470 / M 40
M 50 × 1.5	22.0 – 35.0	55.5	20.0	SW 46	18.0	32.0	EPN 470 / M 50
M 63 × 1.5	24.0 – 43.0	68.8	22.0	SW 56	20.0	38.0	EPN 470 / M 63

Should your requirements not be shown please ask for a separate quotation.
PROTEC products and specifications are subject to improvement and change without notice.

Quick-Fit® Threaded Sealing Grommets, open

Ingress Rating IP 54

TRIPLE ADVANTAGE of PROTEC QUICK-FIT®

QUALITY. Wire management. Threaded screw grommets ensure accurate protection of cables and wires passing through threads in metal panels
Hexagon-Head, with open membrane

AVAILABILITY. With over 400 million moulded components shipped from our UK logistics center we provide the fastest on time delivery service to all industries of the UK market.

PHILOSOPHY. The highest degree of Protec Quick-Fit functionality and safety at the best price in the market.



Material :
LLD-PE,
linear low density polyethylene

Standard Colour :
light grey RAL 7035

Individual Productions :
On request we develop and produce individually tailored solutions next to the standard items of this range: additional dimensions, different materials and new colours

We would be pleased to advise you.

Think Plastic. Go Protec.®

PROTEC
PLASTICS