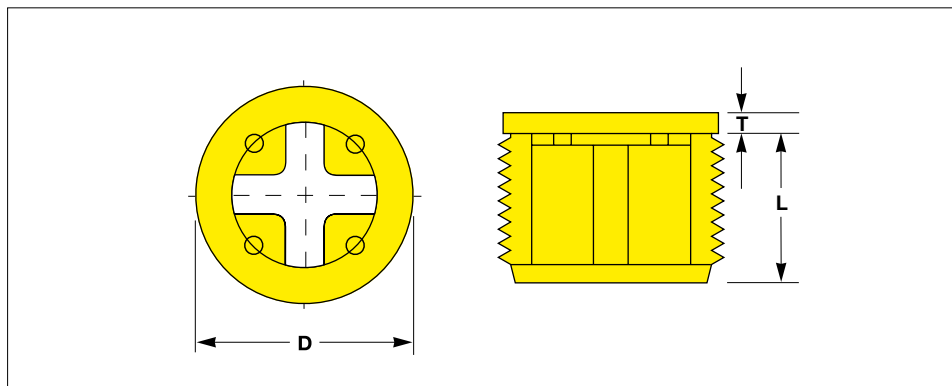


Domestic Radiator Threaded Plugs

Flangeless. Specially designed for BSP thread sizes
 Withstands temperatures up to + 180°C
 Excellent for use with power tool



Material :
Nylon 6

Standard Colours :
green, red

Designed to protect BSP and metric fittings and threads from damage and contaminants.

The knurled head and screwdriver slot allow for easy installation and removal.

Think Plastic. Go Protec.®



All dimensions in mm

Pipe Thread DIN 259/DIN ISO 228 BSP Thread	D	L	T	Standard Colour	Reference-No.
R .1/4"	14.0	8.0	2.0	green	EP 4000 / G .1/4"
R .3/8"	17.4	8.3	2.5	red	EP 4000 / G .3/8"
R .1/2"	21.5	8.0	4.0	green	EP 4000 / G .1/2"
R .3/4"	28.0	8.0	4.0	red	EP 4000 / G .3/4"

Should your requirements not be shown please ask for a separate quotation.
 PROTEC products and specifications are subject to improvement and change without notice.

Domestic Radiator Threaded Plugs

Flangeless. Specially designed for BSP thread sizes
Withstands temperatures up to + 180°C
Excellent for use with power tool

TRIPLE ADVANTAGE of PROTEC CAPTOP®

QUALITY. Flangeless. Specially designed for BSP thread sizes.
Withstands temperatures up to + 180°C. Excellent for use with power tool.

AVAILABILITY. With over 400 million moulded components shipped from our UK logistics center we provide the fastest on time delivery service to all industries of the UK market.

PHILOSOPHY. Innovative protective closures at the best price in the market.



CAPTOP®



Material :
Nylon 6

Standard Colours :
green, red

Individual Productions :
On request we develop and produce individually tailored solutions next to the standard items of this range: additional dimensions, different materials and new colours

We would be pleased to advise you.

Think Plastic. Go Protec.®

PROTEC
PLASTICS