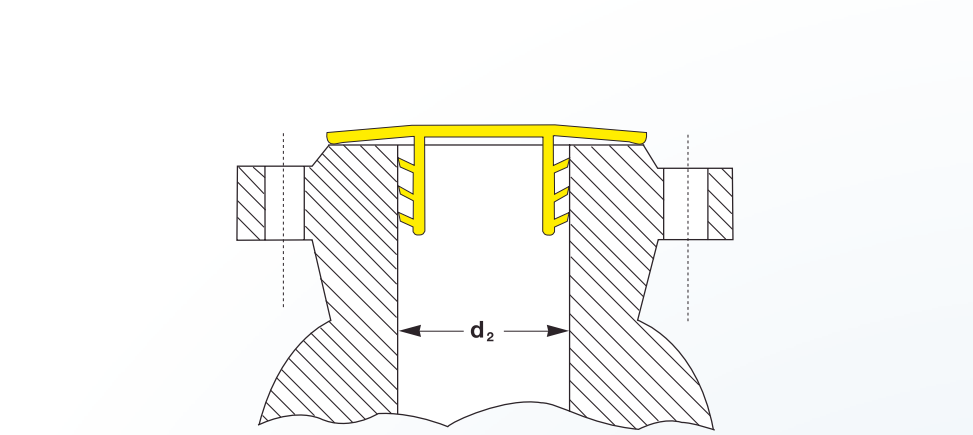
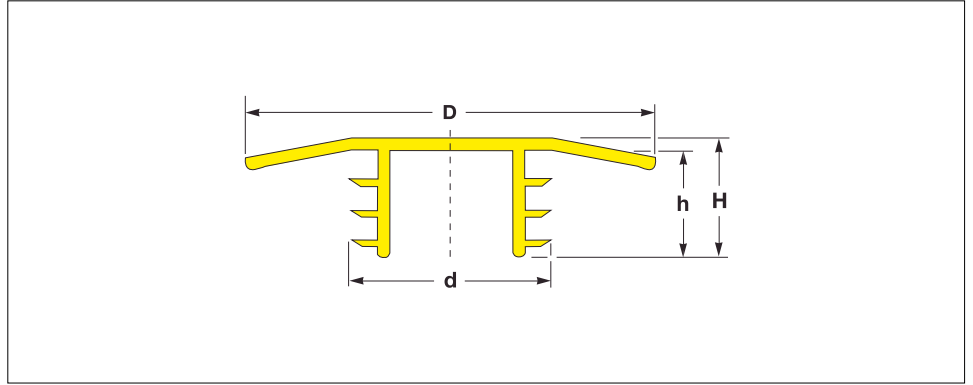
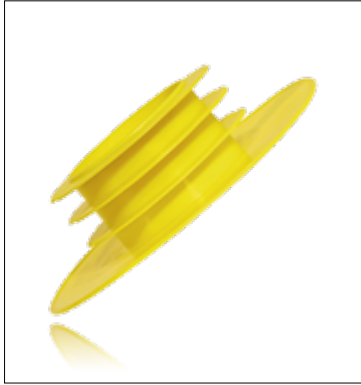


Push-In Flange Face Protectors

Guard the flange face DN 15 – DN 300
Suited to protect DIN and ANSI flanges

EX STOCK
400m
Parts
DELIVERY SERVICE



Example of application

Material :
LLD-PE,
linear low density polyethylene

Standard Colour :
yellow

Ribbed Face Protectors guard the flange face against dirt, moisture, paint, sand and short blasting.

The tapered section of the part creates a strong adhesion to various classifications of flanges, no fasteners required.

Think Plastic. Go Protec.®



All dimensions in mm

Dim.	Ø Flange DIN	Ø Flange d ₂		Dimensions				Lamellar Qty.	Reference No.
		min.	max.	d	D	H	h		
.1/2"	DN 15	11.0	18.5	18.5	44.8	16.0	15.0	3	EP 306 / DN 15
.3/4"	DN 20	16.0	23.0	24.0	58.0	16.0	15.0	3	EP 306 / DN 20
1."	DN 25	21.0	29.0	30.0	70.0	19.0	18.0	3	EP 306 / DN 25
1.1/4"	DN 32	30.0	37.0	39.0	78.0	29.0	28.0	3	EP 306 / DN 32
1.1/2"	DN 40	37.0	43.0	45.0	88.0	29.0	28.0	3	EP 306 / DN 40
2."	DN 50	43.0	54.0	55.5	102.1	20.1	18.5	2	EP 306 / DN 50
2.1/2"	DN 65	61.0	71.0	72.5	122.0	33.5	33.0	3	EP 306 / DN 65
3."	DN 80	74.0	83.0	85.0	138.0	34.0	33.0	3	EP 306 / DN 80
4."	DN 100	80.0	110.0	112.0	162.0	34.5	35.0	2	EP 306 / DN 100
5."	DN 125	100.0	135.0	137.5	189.0	34.8	35.0	2	EP 306 / DN 125
6."	DN 150	130.0	167.0	172.0	215.0	36.4	35.0	2	EP 306 / DN 150
8."	DN 200	180.0	216.0	217.2	270.0	45.1	43.1	2	EP 306 / DN 200
10."	DN 250	232.0	267.0	270.9	345.0	45.1	43.1	2	EP 306 / DN 250
12."	DN 300	285.0	316.0	325.0	408.0	45.1	43.1	3	EP 306 / DN 300

Should your requirements not be shown please ask for a separate quotation.
PROTEC products and specifications are subject to improvement and change without notice.

Push-In Flange Face Protectors

Guard the flange face DN 15 – DN 300
Suited to protect DIN and ANSI flanges

TRIPLE ADVANTAGE of PROTEC CAPTOP®

QUALITY. Ribbed Face Protectors guard the flange face against dirt, moisture, paint, sand and short blasting. The tapered section of the part creates a strong adhesion to various classifications of flanges, no fasteners required.

AVAILABILITY. With over 400 million moulded components shipped from our UK logistics center we provide the fastest on time delivery service to all industries of the UK market.

PHILOSOPHY. Innovative protective closures at the best price in the market.



CAPTOP®



NEW

Material :
LLD-PE,
linear low density polyethylene

Standard Colour :
yellow

Individual Productions :
On request we develop and produce individually tailored solutions next to the standard items of this range: additional dimensions, different materials and new colours

We would be pleased to advise you.

Think Plastic. Go Protec.®

**PROTEC
PLASTICS**