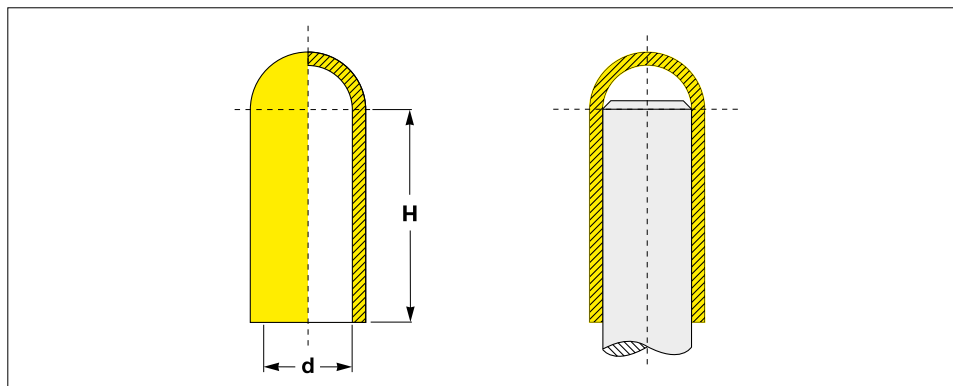


High Temperature Silicone Caps

These high temperature silicone rubber caps have a parallel design for ease in application on parts undergoing abrasive high temperature processing
They withstand temperatures up to 600° F / 316°C

strong

**FLEXIBLE
PRODUCTION**



All dimensions in mm

d		H	Reference No.
mm	inch		
2.0		25.4	EP 277 / 2.0 × 25.4
2.5		25.4	EP 277 / 2.5 × 25.4
3.0		25.4	EP 277 / 3.0 × 25.4
3.5		25.4	EP 277 / 3.5 × 25.4
4.0		25.4	EP 277 / 4.0 × 25.4
4.5		25.4	EP 277 / 4.5 × 25.4
5.0		25.4	EP 277 / 5.0 × 25.4
6.0		38.1	EP 277 / 6.0 × 38.1
6.35	.1/4"	38.1	EP 277 / 6.35 × 38.1
7.5		38.1	EP 277 / 7.5 × 38.1
8.0		25.4	EP 277 / 8.0 × 25.4
8.0		38.1	EP 277 / 8.0 × 38.1
9.0		38.1	EP 277 / 9.0 × 38.1
9.53	.3/8"	25.4	EP 277 / 9.53 × 25.4
10.0		38.1	EP 277 / 10.0 × 38.1
12.0		38.1	EP 277 / 12.0 × 38.1
12.7	.1/2"	38.1	EP 277 / 12.7 × 38.1
14.0		38.1	EP 277 / 14.0 × 38.1
15.3		38.1	EP 277 / 15.3 × 38.1
15.88	.5/8"	38.1	EP 277 / 15.88 × 38.1
18.0		38.1	EP 277 / 18.0 × 38.1
19.05	.3/4"	38.1	EP 277 / 19.05 × 38.1
21.0		38.1	EP 277 / 21.0 × 38.1
22.5		38.1	EP 277 / 22.5 × 38.1
24.0		38.1	EP 277 / 24.0 × 38.1
25.0		38.1	EP 277 / 25.0 × 38.1
25.4	1."	38.1	EP 277 / 25.4 × 38.1
27.0		86.7	EP 277 / 27.0 × 86.7
29.0	1.1/8"	38.1	EP 277 / 29.0 × 38.1
31.8	1.1/4"	38.1	EP 277 / 31.8 × 38.1

Material :

Pro-Sicon, temperature resistance up to 600° F / 316° C

Standard Colour :

natural

These Silicone Rubber Caps are designed to provide complete protection for masking application on parts undergoing abrasive high temperature processing.

They withstand temperatures up to 600°F / 316°C.

Recommended for powder-coating, paint spraying, plating and anodising. Reusable.

Think Plastic. Go Protec.®

**PROTEC
PLASTICS**

Should your requirements not be shown please ask for a separate quotation.
PROTEC products and specifications are subject to improvement and change without notice.

High Temperature Silicone Caps

These high temperature silicone rubber caps have a parallel design for ease in application on parts undergoing abrasive high temperature processing
They withstand temperatures up to 600° F / 316°C

TRIPLE ADVANTAGE of PROTEC CAPTOP®

QUALITY. These Silicone Rubber Caps are designed to provide complete protection for masking application on parts undergoing abrasive high temperature processing. They withstand temperatures up to 600°F / 316°C.

PROTEC CAPTOP Silicone caps are recommended for powder-coating, paint spraying, plating, anodising and provide an airtight seal while still being easy to install.

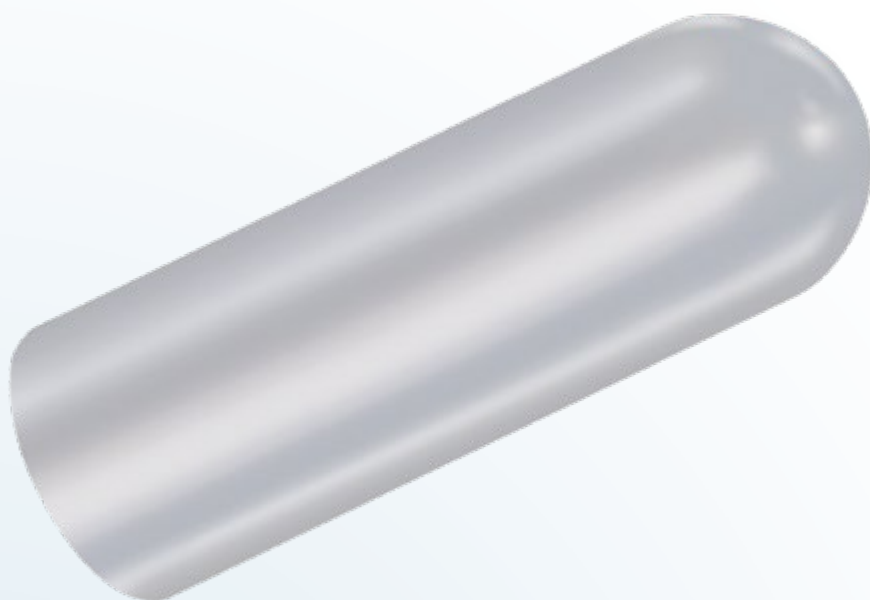
AVAILABILITY. With over 400 million moulded components shipped from our UK logistics center we provide the fastest on time delivery service to all industries of the UK market.

PHILOSOPHY. Innovative protective closures at the best price in the market.



CAPTOP®

High temperature
resistant to 316° C



All dimensions in mm

d		H	Reference No.
mm	inch		
38.1	1.1/2"	44.5	EP 277 / 38.1 × 44.5
39.0		38.1	EP 277 / 39.0 × 38.1
42.0		50.8	EP 277 / 42.0 × 50.8
44.5	1.3/4"	38.1	EP 277 / 44.5 × 38.1
48.0		50.8	EP 277 / 48.0 × 50.8
50.8	2."	50.8	EP 277 / 50.8 × 50.8

Material :
Pro-Sicon, temperature resistance
up to 600° F / 316° C

Standard Colour :
natural

Individual Productions :
On request we develop and produce
individually tailored solutions next
to the standard items of this range:
additional dimensions, different
materials and new colours

We would be pleased to advise you.

Think Plastic. Go Protec.®

**PROTEC
PLASTICS**

Should your requirements not be shown please ask for a separate quotation.
PROTEC products and specifications are subject to improvement and change without notice.