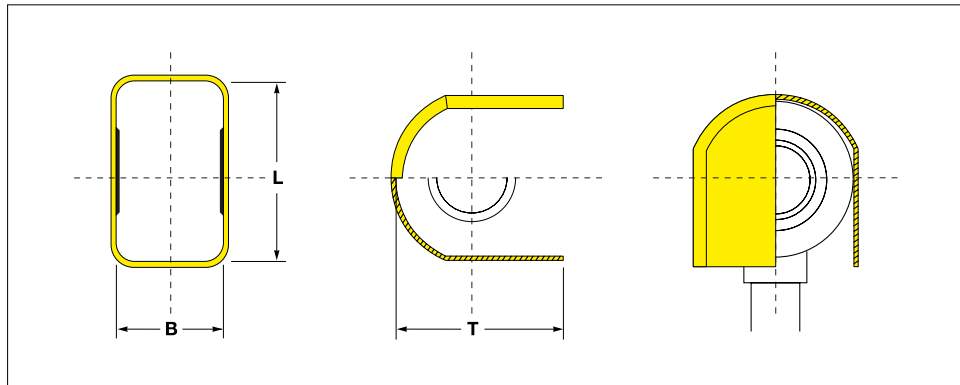


Banjo Union Caps

Fit hydraulic banjo unions to DIN 7642 B/E
Easy click application



Material :
LLD-PE,
linear low density polyethylene

Standard Colour :
yellow

Banjo union caps provide external protection to banjo bolts. These caps provide a quick application and removal. Banjo Swivel Joints provide 360° rotation in a single plane without leakage. The units establish mechanical flexibility into high pressure and temperature systems such as fuel pressure systems, turbo charging, air-conditioning and brake installations. Banjo union caps are typically used in hydraulic, pneumatic and automotive industries.

Think Plastic. Go Protec.®



All dimensions in mm

Suitable for ring-type nipples DIN 7642 B/E tube outside diameter	Dimensions			Reference No.
	L	B	T	
4.0	14.0	7.8	17.0	EP 265 / BE 4
5.0	14.0	7.8	17.0	EP 265 / BE 5
6.0	17.0	9.8	19.6	EP 265 / BE 6
8.0	20.0	11.6	23.5	EP 265 / BE 8
10.0	24.0	13.8	27.6	EP 265 / BE 10
12.0	28.0	15.8	31.2	EP 265 / BE 12
15.0	32.2	19.6	35.3	EP 265 / BE 15
18.0	40.0	24.8	43.0	EP 265 / BE 18

Should your requirements not be shown please ask for a separate quotation.
PROTEC products and specifications are subject to improvement and change without notice.

Banjo Union Caps

Fit hydraulic banjo unions to DIN 7642 B/E

Easy click application

TRIPLE ADVANTAGE of PROTEC CAPTOP®

QUALITY. Banjo union caps provide external protection to banjo bolts. These caps provide a quick application and removal. Banjo Swivel Joints provide 360° rotation in a single plane without leakage.

The units establish mechanical flexibility into high pressure and temperature systems such as fuel pressure systems, turbo charging, air-conditioning and brake installations. Banjo union caps are typically used in hydraulic, pneumatic and automotive industries.

Fit hydraulic banjo unions to DIN 7642 B/E

AVAILABILITY. With over 400 million moulded components shipped from our UK logistics center we provide the fastest on time delivery service to all industries of the UK market.

PHILOSOPHY. Innovative protective closures at the best price in the market.



CAPTOP®



Material :
LLD-PE,
linear low density polyethylene

Standard Colour :
yellow

Individual Productions :
On request we develop and produce individually tailored solutions next to the standard items of this range: additional dimensions, different materials and new colours

We would be pleased to advise you.

Think Plastic. Go Protec.®

**PROTEC
PLASTICS**